



High-Pressure Vertically Immersed Multi-stage Booster Pump

MODEL

25VB

FEATURES

- **Multi-stage Design:** Provides steady, quiet, vibration free, operation.
- **O-ring Casing Seal:** Reliable high pressure sealing with easy disassembly for maintenance or repair.
- **Impellers and Diffusers:** Glass filled engineered composite material with floating impeller design. High resistance to corrosion and abrasion.
- **Bowls:** 300 stainless steel rabbit lock for positive alignment with no Gaskets required.
- **Variable Capacity:** Centrifugal pump design permits selection of flow within a range for each size.
- **Motors:** Close coupled NEMA 56J motors. Totally enclosed fan cooled. Three phase. Ball bearings carry all radial and axial thrust loads. Designed for continuous operation.
- A tank mounting clamp is provided for ease of adjustment to tank depth.
- Optional stainless steel suction and discharge.

SPECIFICATIONS

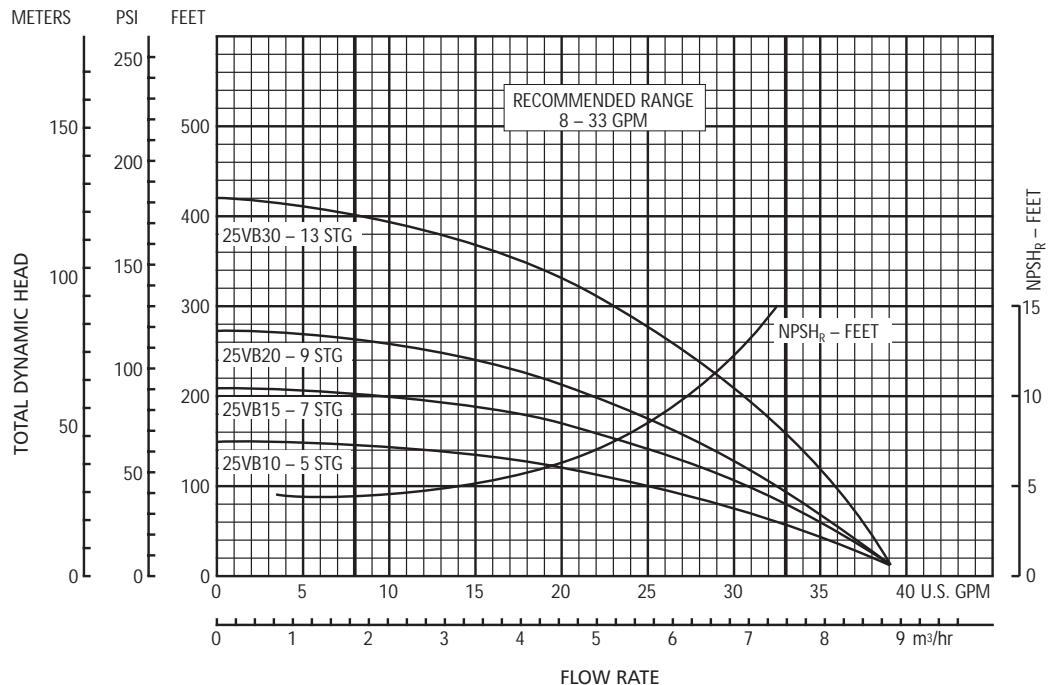
- Pump:**
- Capacities: to 33 GPM.
 - Heads: to 430 ft. (190 PSI).
 - Pipe Connections: 1" NPT.
 - Maximum flow: 33 GPM.
 - Minimum flow: 8 GPM.
 - Maximum Liquid Temperature: 160°F (71°C).

- Rotation:**
Counterclockwise when viewed from motor end.
- Maximum lift with foot valve: 10 ft. (check NPSH curve).

- Motor:**
- NEMA standard: 56J frame.
 - Totally enclosed fan cooled.
 - 60 Hz, 3500 RPM, three phase.
 - Three phase motors require starters, available separately.

APPLICATIONS

Mounts in a tank for circulation of cooling detergent solutions for machinery and parts cleaning.



High-Pressure Vertically Immersed Multi-stage Booster Pump

MODEL

25VB

MATERIALS OF CONSTRUCTION

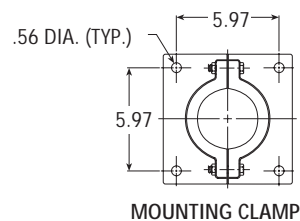
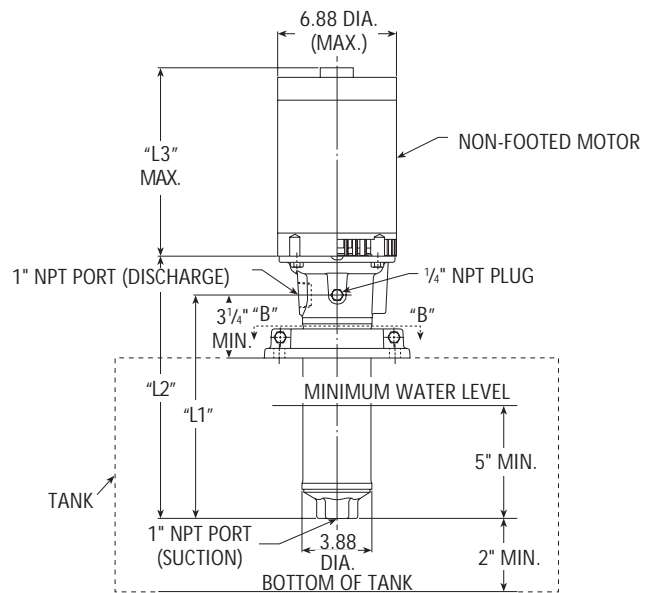
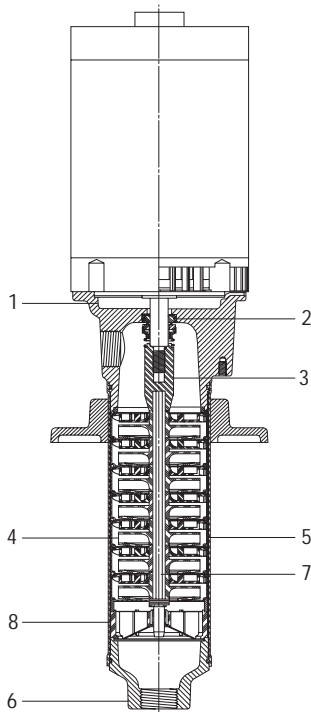
| Item No. | Description | Material |
|----------|-------------------|---|
| 1 | Motor Adapter | Cast Iron or Cast 304 Stainless Steel |
| 2 | Mechanical Seal | 2 = Carbon/Ceramic/BUNA 3 = Carbon/Silcar/EPR 4 = Carbon/Ceramic/Viton 5 = Carbon/Silcar/Viton |
| 3 | Shaft Coupling | Stainless Steel |
| 4 | Impeller/Diffuser | Engineered Composite |
| 5 | Bowl | 304 Stainless Steel |
| 6 | Suction Head | Cast Iron or 304 Stainless Steel |
| 7 | Hex Shaft | Stainless Steel |
| 8 | Casing | 304 Stainless Steel |

DIMENSIONS AND WEIGHTS

| Model | Stages | L1 Approx. | L2 Approx. | HP | L3 Max. | Max. Wt. lbs. |
|--------|--------|------------|------------|----|---------|---------------|
| 25VB10 | 5 | 10.62 | 12.62 | 1 | 10.00 | 43 |
| 25VB15 | 7 | 12.50 | 14.50 | 1½ | 10.86 | 48 |
| 25VB20 | 9 | 14.38 | 16.38 | 2 | 11.00 | 56 |
| 25VB30 | 13 | 18.12 | 20.12 | 3 | 11.25 | 64 |

Warnings:

- Do not run pump dry.
- Do not run pump below minimum flow.
- Mount pump so that suction is at least two inches above the tank bottom.
- Liquid level must be at least 5" above suction before starting pump.
- Not for use in condensate, acid or highly caustic solutions. Contact your distributor for specific applications.



Goulds Pumps

