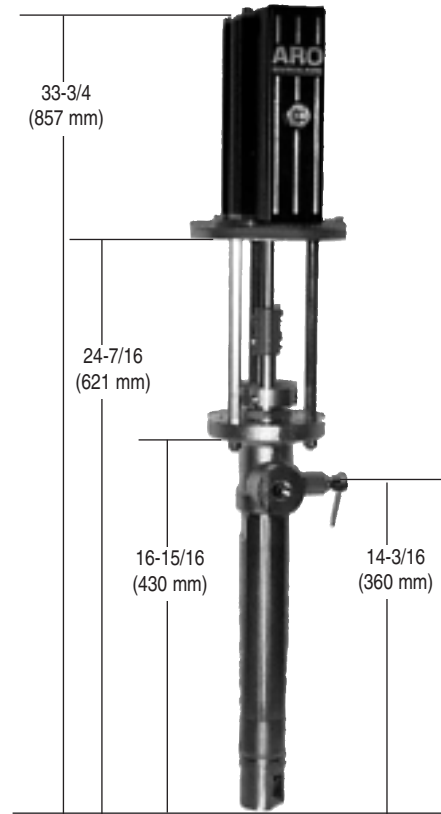


# Pump Performance

- Air Inlet Pressure Range . . . . . 30 - 120 PSI (2 - 8.3 bar)
- Fluid Pressure Range . . . . . 660 - 3300 PSI (44.8 - 244.4 bar)
- Max. Rec'd Cycles Per Minute . 120
- Displacement Per Cycle . . . . . 1.9 in<sup>3</sup> (31.1 cm<sup>3</sup>)
- Cycles Per Gallon (Liter) . . . . . 121.5 (32.1)
- Maximum Working Flow . . . . . .98 GPM (3.7 lpm)
- Noise Level @ 100 Psi . . . . . 85 db(A)

# Pump Specifications

- Lower Pump Material . . . . . 316 Stainless Steel
- Plunger Material . . . . . 17 - 4 Stainless Steel (Chrome Plated)
- Cylinder Material . . . . . 15-5 Stainless Steel (Chrome Plated)
- Air Motor . . . . . 66915
- Motor Repair Kit . . . . . 637316
- Motor Diameter . . . . . 3"
- Stroke . . . . . 3"
- Air Inlet . . . . . 1/4" NPTF-1 (F)
- Lower Pump End Series:
- Model NM2322F-11-P43 . . . . . 67101-P43
- Model NM2322F-11-P48 . . . . . 67101-P48
- Lower Pump Repair Kits:
- Model NM2322F-11-P43 . . . . . 637291-P43
- Model NM2322F-11-P48 . . . . . 637291-P48
- Material Inlet . . . . . Follower Plate Mounted
- Material Outlet . . . . . 1/2" NPT(F)
- Weight . . . . . 28.7 lbs. (13 kgs.)



NM2322F-11-P4X

# Ordering

**N M 2 3 2 2 F - 1 1 - P 4 X**

### Packing / Plunger

- 3 : UHMW-PE/Teflon Staggered (Upper), UHMW-PE Grooved Piston (Lower)
- 8 : UHMW-PE/Teflon Staggered (Upper), UHMW-PE Single Lip Cup (Lower)

# Accessories

- Air F/R/L: C28121-800
- Airline Oil: 62274
- Wet Sol: 66333-B
- Follower Plate: 651841-1
- See Page 17
- A.S.A.P. Packages: NP322R02-1
- NP322L02-1

