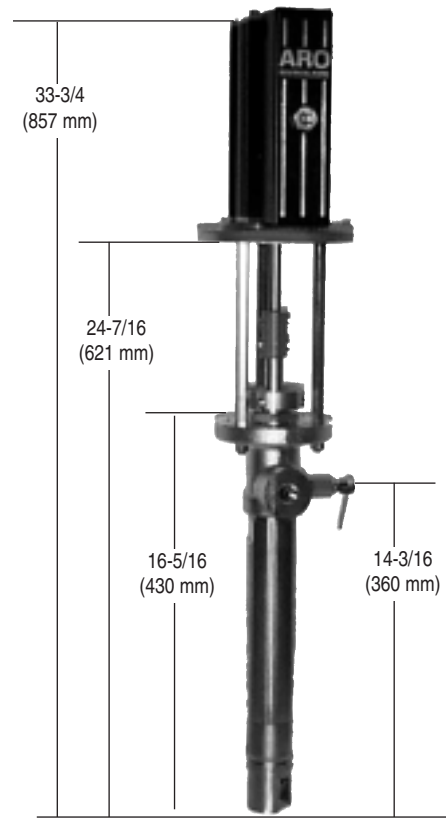


Pump Performance

- Air Inlet Pressure Range 30 - 120 PSI (2 - 8.3 bar)
- Fluid Pressure Range. 660 - 3300 PSI (44.8 - 244.4 bar)
- Displacement Per Cycle 1.9 in³ (31.1 cm³)
- Cycles Per Gallon (Liter) 121.5 (32.1)
- Maximum Working Flow98 GPM (3.7 lpm)
- Noise Level @ 100 Psi 85 db(A)

Pump Specifications

- Lower Pump Material Carbon Steel
- Plunger Material 17 - 4 Stainless steel
- Air Motor 66915
- Motor Repair Kit 637316
- Motor Diameter 3"
- Stroke 3"
- Air Inlet 1/4" NPTF-1 (f)
- Lower Pump End Series:
- Model NM2322E-11-P43 67100-P43
- Model NM2322E-11-P48 67100-P48
- Lower Pump Repair Kits:
- Model NM2322E-11-P43 637290-P43
- Model NM2322E-11-P48 637290-P48
- Material Inlet Follower Plate Mounted
- Material Outlet 1/2" NPT(F)
- Weight 28.7 lbs. (13 kgs.)



NM2322E-11-P4X

Ordering

N M 2 3 2 2 E - 1 1 - P 4 X

Packing / Plunger

- 3 : UHMW-PE/Teflon Staggered (Upper),
UHMW-PE Grooved Piston (Lower)
- 8 : UHMW-PE/Teflon Staggered (Upper),
UHMW-PE Single Lip Cup (Lower)

Accessories

- Air F/R/L: C28121-800
- Airline Oil: 62274
- Wet Sol: 66333-B
- Follower Plate: See Page 17
- A.S.A.P. Packages: NP322R01-1
NP322L01-1

