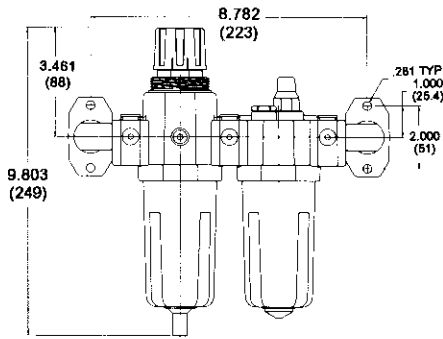
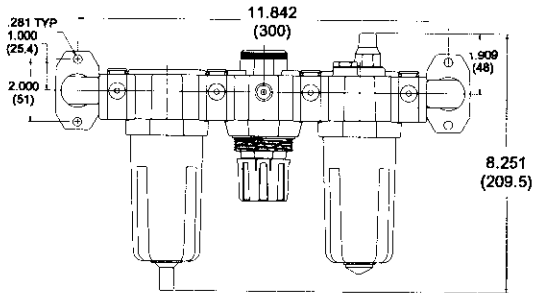
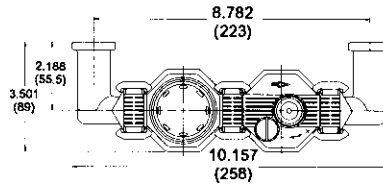
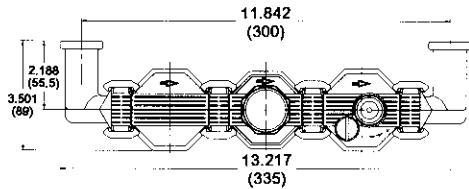


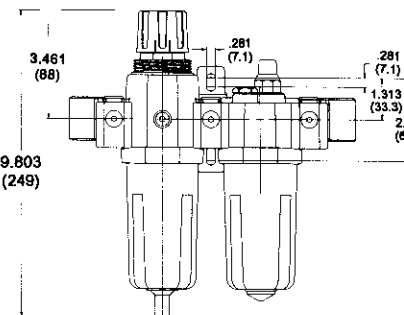
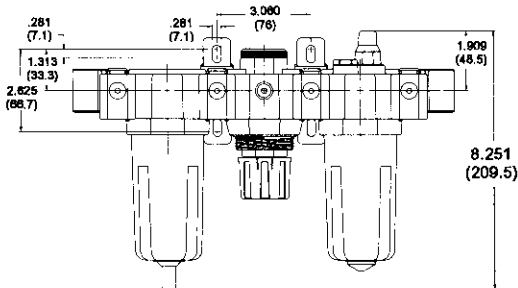
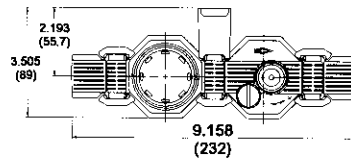
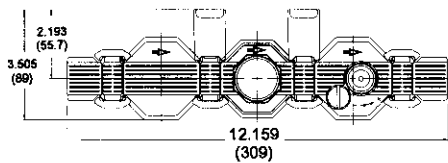
# Dimensional Data

## Module/Air 2000 Series



Filter-Regulator-Lubricator with Right-Angle Brackets

Piggyback-Lubricator with Right-Angle Brackets



**Threaded Pipe Adapters**  
 104168-2 1/4" Threads  
 104168-3 3/8" Threads  
 104168-4 1/2" Threads  
 104168-6 3/4" Threads

Filter-Regulator-Lubricator with Pipe Adapters

Piggyback-Lubricator with Pipe Adapters



104169 Right-Angle Piping Brackets



104171 T-Type Mounting Brackets



29999 U-Bolt Mounting Bracket  
 For 1/4", 3/8" & 1/2" pipe

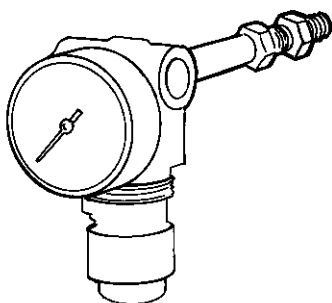


Panel Mounting  
 Use 104173 Panel Mounting Nut  
 Use 29722 Panel Mount Gauge

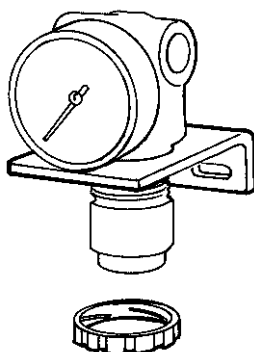
104172 Mounting Kit  
 Includes 29623 Bracket &  
 104173 Panel Mounting Nut

# Features

## Miniature Series



104039 Stud Mount  
For use on Piggyback and Regulator units.



29668 Mounting Bracket with 104094  
Panel Mounting Nut  
For Use on Piggyback and Regulator units.



Panel Mounting  
Use 104094 Panel Mounting Nut  
Use 29722 for Panel Mount Gauge

## Heavy Duty Series



U-Bolt Mounting Brackets  
29999 for 1/2" pipe  
29970 for 3/4" & 1" pipe



29077 L- Type Mounting Bracket

## Super Duty Series



104114 Panel  
Nut & Mounting Bracket



104115 U- Bolt Mounting Bracket  
For both 1 1/4" & 1 1/2" pipe