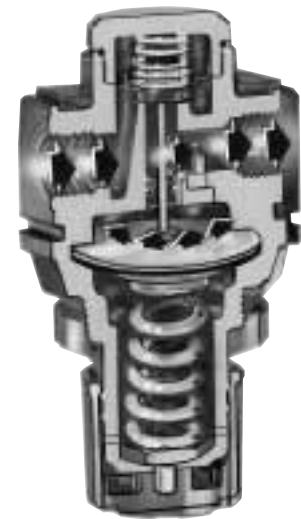


Features

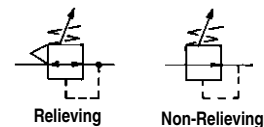
1/4", 3/8" & 1/2" Ports

ARO Module/Air 2000® Series regulators are designed to provide quick response and accurate pressure regulation over a wide range of applications. Two gauge ports allow for more versatility in mounting and usage of the unit. Three spring options allow for spring changes, instead of entire regulator changes, to meet most air pressure applications.

- Units have threaded ports for direct connection to pipe plumbing or, when used with modular port adapter kits, a single unit or combination of units can be piped into the air system in a modular arrangement.
- Push-pull, non-rising knob allows one-hand adjustment. Pull to adjust, push to lock. Arrows on the knob indicate direction of pressure increase/ decrease.
- Regulator can be mounted either up or down, increasing user flexibility.
- Balanced valve-type diaphragm regulation assures positive pressure adjustment and rapid response to inlet pressure changes.
- Regulator offers in-line reparability. Valve and diaphragm can be replaced without removing unit from line.
- Regulator can be panel-mounted up to 1/4" thickness. Hole diameter is 1-7/8".
- Buna N diaphragm and seals provide excellent elasticity and longer life.
- A tamper-resistant clamp is available. Units can be preset and locked to specific requirements.
- Order regulator with or without gauge.



GRAPHIC SYMBOLS



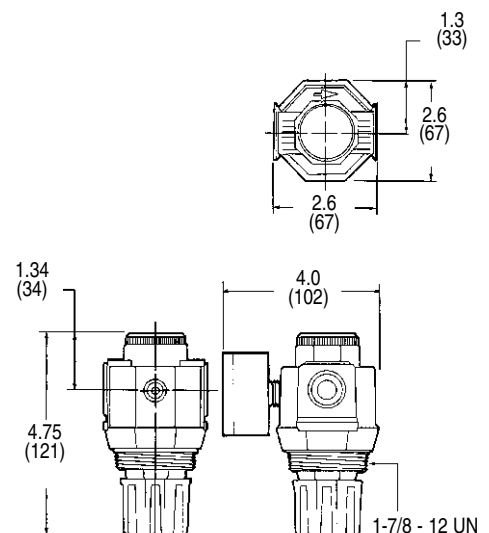
Performance Specifications

Models & Dimensions, in. (mm)

Body:	Zinc die-cast		
Seals:	Buna N		
Diaphragm:	Buna N		
Valve:	Brass		
Spring Housing:	Glass-Filled Nylon		
Cap and Knob:	High Impact ABS		
Max. Inlet Pressure:	200 PSIG (13.8 bar)		
Pressure Range in Regulator:	0 to 200 PSIG (0 to 13.8 bar)		
Operating Temperature Range:	0° to 180° F (-18° to 82°C)		
Gauge Port:	1/4" NPT		
*Flow:	1/4"	=	100 scfm (47 dm ³ /s)
	3/8"	=	130 scfm (61 dm ³ /s)
	1/2"	=	150 scfm (71 dm ³ /s)

*Air flow is at 100 PSIG (6.9 bar) inlet and 90 PSIG (6.2 bar) outlet.

CAUTION: Outlet pressure adjustment ranges are not minimum or maximum outlet pressure limits. Regulators can be adjusted to zero PSIG secondary pressure and, generally, to pressures in excess of those specified. The use of these regulators to control pressures outside of the specified ranges is not recommended.



Ordering

1/4", 3/8" & 1/2" Ports

From the chart below, select the model number associated with port size and gauge option required. If other options are needed, use menu at bottom.

PORT SIZE NPT	FLOW		MODELS Spring Range		WEIGHT lbs. (kg)
	scfm	(dm ³ /s)	0 to 50 PSIG (0-3.5 bar)	5-125 PSIG (.4-8.6 bar)	
1/4"	100	(47)	R27221-200	R27221-100	1.38 (.63)
3/8"	130	(61)	R27231-200	R27231-100	1.34 (.61)
1/2"	150	(71)	R27241-200	R27241-100	1.30 (.59)

relieving-type without gauge

relieving-type with gauge

1/4"	100	(47)	R27221-700	R27221-600	1.38 (.63)
3/8"	130	(61)	R27231-700	R27231-600	1.34 (.61)
1/2"	150	(71)	R27241-700	R27241-600	1.30 (.59)

Additional Models Available

Select the basic model number associated with the port size desired. From the table below, select the numbers representing the regulator options required. For BSP threads, add -B to end of model number.

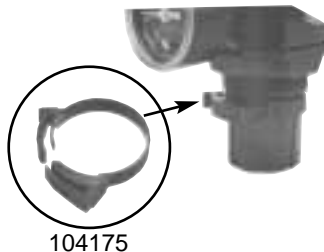
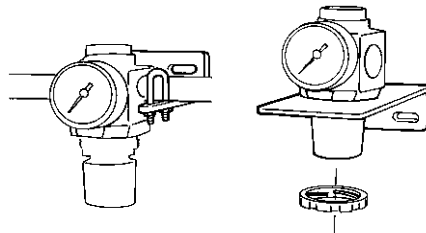
Port Size Basic Model NOTE: Not all menu combinations are valid. See price book to verify.

1/4" **R27221** - X X X
 3/8" **R27231** - X X X
 1/2" **R27241** - X X X

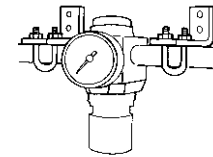
Shaded area = Best-Selling Models

*Pressure Range PSIG (bar)	Relieving Option	Control Option
1 = 5 - 125 (.4-8.6) no gauge	0 = Relieving	0 = Standard Knob
2 = 0 - 50 (0-3.5) no gauge	2 = Non-Relieving	
3 = 10 - 200 (.7-13.8) no gauge		
6 = 5 - 125 (.4-8.6) w/ 0 - 160 lb. gauge (#100067)		
7 = 0 - 50 (0-3.5) w/ 0 - 60 lb. gauge (#100066)		
8 = 10 - 200 (.7-13.8) w/ 0 - 300 lb. gauge (#100083)		

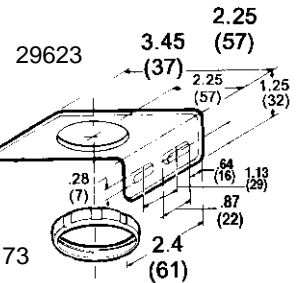
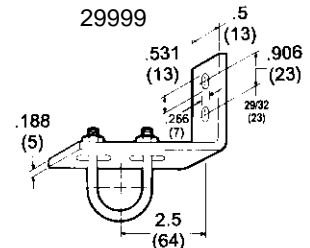
MODEL	DESCRIPTION
100066	Gauge 0 - 60 PSIG
100067	Gauge 0 - 160 PSIG
100083	Gauge 0 - 300 PSIG
104107	Mounting Bracket
104172	Wall Mounting Kit (includes Panel Nut & Bracket.)
104173	Panel Mount Nut
104175	Tamper Resistant Kit
104177	Service Kit, Relieving Type
104178	Service Kit, Non-Relieving Type
104209	Knob Repair Kit
29594	Spring, 5 - 125 lb. (Gold)
29595	Spring, 0 - 50 lb. (Green)
29596	Spring, 10 - 200 lb. (Silver)
29623	Wall Mounting Bracket
29999	U-Bolt Mounting Bracket



R27241-600



29999



104173

104172 (includes Bracket & Nut)

