

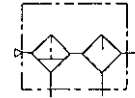
# Performance Specifications

## 1/4", 3/8" & 1/2" Ports

<b>Max. Inlet Pressure:</b>	Polycarbonate Bowl - 150 PSIG (10.4 bar) Metal Bowl - 175 PSIG (12 bar)
<b>Operating Temperature Range:</b>	Polycarbonate Bowl - 0° to 125° F (-18° to 52°C) Metal Bowl - 0° to 175° F (-18° to 79°C)
<b>Filter Element:</b>	40 micron
<b>Filter Drain:</b>	Manual (standard); Automatic (optional)



GRAPHIC SYMBOL



# Ordering

Select the basic model number which represents the port size and bowl option required. Modular models listed include Gauge and "T" Brackets, and are shipped assembled. Pipe nipped models include Gauge and Nipple, and are shipped unassembled. If other options are required, order each unit separately.

For BSP threads, add -B to end of model number.

**NOTE:** To order modular models without "T" Brackets, place a "2" in sixth position of model number. Example: CXXXX2-XXX. See page 58 for Mounting Brackets for pipe nipped models.

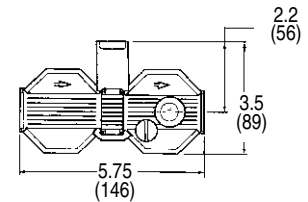
**NOTE:** Not all menu combinations are valid. See price book to verify.

PORT SIZE NPT	MODELS		WEIGHT lbs. (kg)	COMPONENTS	
	MODULAR	NIPPLED		FILTER	LUBRICATOR

Models & Dimensions, in. (mm)

## push drain • metal bowl with sight glass

1/4"	<b>C28221-710</b>	<b>C28223-710</b>	3.6 (1.6)	F25221-110	L26221-110
3/8"	<b>C28231-710</b>	<b>C28233-710</b>	3.5 (1.6)	F25231-110	L26231-110
1/2"	<b>C28241-710</b>	<b>C28243-710</b>	3.3 (1.5)	F25241-110	L26241-110

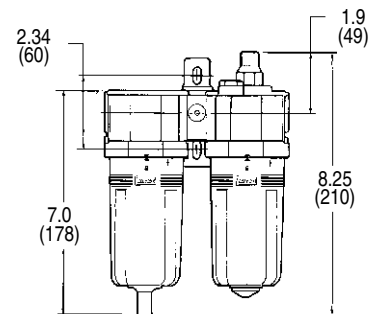


## push drain • polycarb. bowl with bowl guard

1/4"	<b>C28221-700</b>	<b>C28223-700</b>	3.6 (1.6)	F25221-100	L26221-100
3/8"	<b>C28231-700</b>	<b>C28233-700</b>	3.5 (1.6)	F25231-100	L26231-100
1/2"	<b>C28241-700</b>	<b>C28243-700</b>	3.3 (1.5)	F25241-100	L26241-100

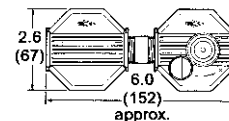
## automatic drain • metal bowl with sight glass

1/4"	<b>C28221-711</b>	**	3.6 (1.6)	F25221-111	L26221-110
3/8"	<b>C28231-711</b>	**	3.5 (1.6)	F25231-111	L26231-110
1/2"	<b>C28241-711</b>	**	3.3 (1.5)	F25241-111	L26241-110



## automatic drain • polycarb bowl with bowl guard

1/4"	<b>C28221-701</b>	**	3.6 (1.6)	F25221-101	L26221-100
3/8"	<b>C28231-701</b>	**	3.5 (1.6)	F25231-101	L26231-100
1/2"	<b>C28241-701</b>	**	3.3 (1.5)	F25241-101	L26241-100



**NOTE:** Modular models include (1)104171 T-Bracket. Pipe Nipped models include (1) appropriate sized pipe nipple.  
For pipe nipped FRL combo units with automatic drain, order individual filter, lubricator components and pipe nipple.