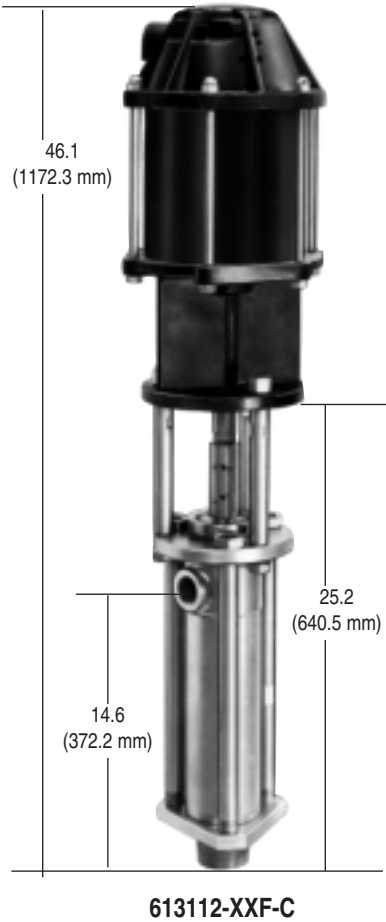


Pump Performance

- Air Inlet Pressure Range 30 - 120 PSI (2 - 8.3 bar)
- Fluid Pressure Range 300 - 1200 PSI (20.4 - 81.6 bar)
- Max. Rec'd Cycles Per Minute . 60
- Displacement Per Cycle 59.9 in³ (981.5 cm³)
- Cycles Per Gallon (Liter) 3.8 (1.01)
- Flow @ 60 Cycles / Minute . . . 15 GPM (56.7 lpm)
- Noise Level @ 60 Psi 88 db(A) w/muffler

Pump Specifications

- Lower Pump Material 316 Stainless Steel
- Plunger Material 304 Stainless Steel (Chrome Plated)
- Cylinder Material 304 Stainless Steel (Chrome Plated)
- Air Motor 66523-B
- Motor Repair Kit 66614
- Motor Diameter 8"
- Stroke 6"
- Air Inlet 3/4" NPT(F)
- Lower Pump End Series 66942-XXF
- Lower Pump Repair Kit 637211-XXX
- Material Inlet 2" NPTF-1
- Material Outlet 1-1/4" NPTF-(f)
- Weight 102 lbs. (46.3 kgs.)



Ordering

6 1 3 1 1 2 -X X F -C

- Packings
 - C6 : UHMW-PE
 - K3 : CG-Filled Teflon with, Buna N Energizer
 - L6 : Mineral-Filled Teflon
 - P6 : UHMW-PE/Teflon Staggered
 - R6 : Teflon/UHMW-PE Staggered

Accessories

- Air F/R/L: 28353
- Wall Mount: 66542
- Mounting Post: 67187-1
- Airline Oil: 62274
- Muffler: 92460
- Wet Sol: 66333-B

