

CHOICE OF THREE PORT SIZES

Select from 1/2" , 3/4" or 1" porting to meet system requirements.

EASY MAINTENANCE AND CLEANING

Has only one moving component, the impeller. Cleaning and maintenance may be performed without removing the sensor from the piping.

HERMETICALLY ENCAPSULATED CIRCUITRY

Stands up to the harshest environments.

TRANSMIT SEVERAL THOUSAND FEET

The standard interface is a 2-wire, 4-20mA current loop. Sensor signal may be transmitted on a low cost wire without degradation.

CONNECTS DIRECTLY TO YOUR FLOW MONITORING INSTRUMENTS

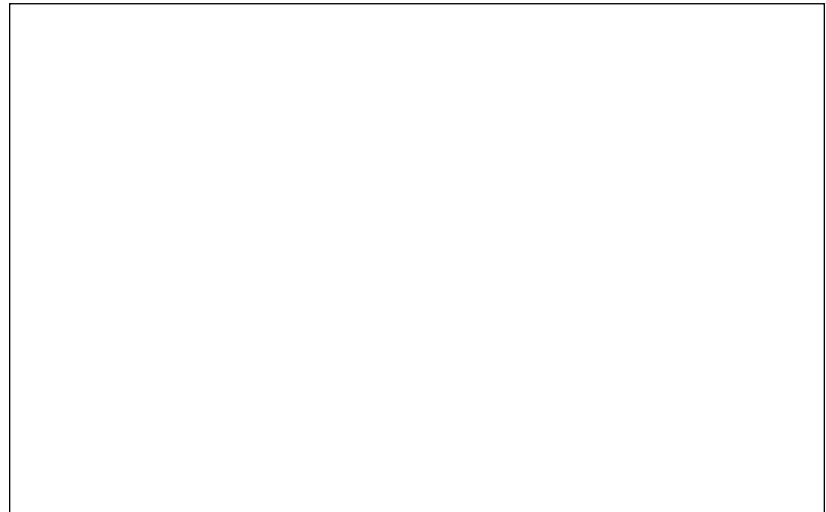
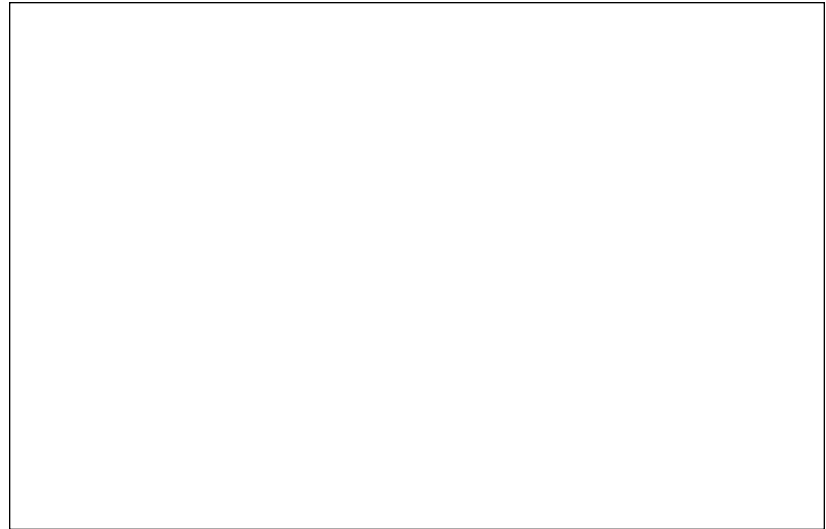
Can be connected directly to analog acquisition cards, chart recorders, or other monitoring instruments, without external signal conditioning.

SIMPLY PLUMB AND APPLY POWER

Comes factory calibrated to your flow range specifications.

VALUE PRICING

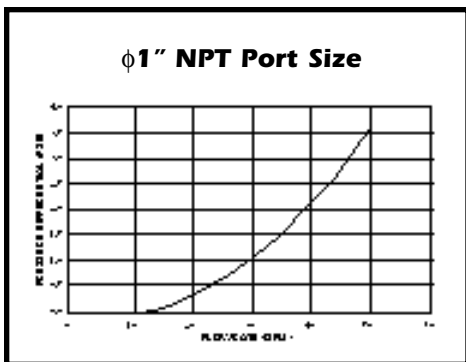
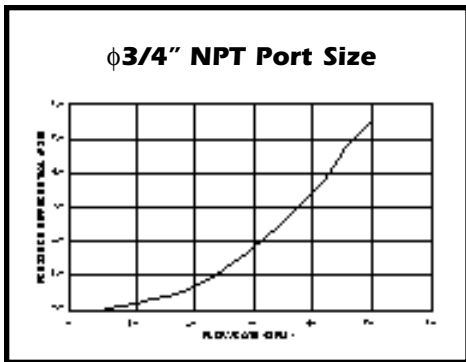
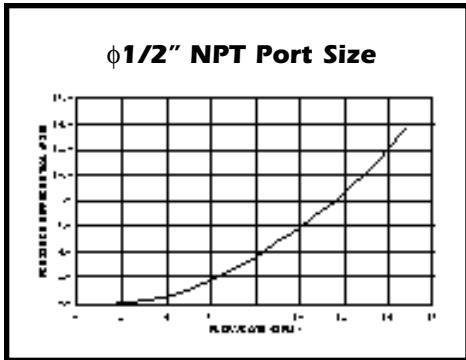
Combined with low cost operation and maintenance, equals better bottom line savings for your operation

**ENGINEERING SPECIFICATION**

THE FLOWSTAT SENSOR SHALL:

- n have only one moving component.
- n be calibrated to user specified flow range.
- n have a measuring accuracy of 2% of full scale.
- n have hermetically encapsulated circuitry.
- n be Lake Monitors Number C__ - __ - __ for the Current output, and No. P__ - __ - __ for the pulse Output version

PRESSURE DIFFERENTIAL VS FLOW RATE



MATERIALS OF CONSTRUCTION

WETTED COMPONENTS:

| | |
|---------|---|
| Casing | Stainless Steel |
| Cover | Stainless Steel (optional clear polycarbonate) |
| Seal | Buna-N (other options available) |
| Turbine | Acetal copolymer |
| Bearing | iglide 250® |
| Shaft | Stainless steel |

NON-WETTED COMPONENTS:

| | |
|-----------------|----------------------|
| Encapsulant | Epoxy |
| Strain relief | Nylon |
| Lock Ring | Stainless steel |
| Wire insulation | High temperature PVC |

Note: iglide 250® is a registered trademark of igus®

PERFORMANCE

| | |
|------------------------|-------------------------|
| Measuring accuracy: | ±2% of full-scale |
| Repeatability: | ±0.5% of full-scale |
| Flow Measuring Range: | |
| 1/2" porting | 0.5-15 GPM [2-60 LPM] |
| 3/4" - 1" porting | 15-50 GPM [60-200 LPM] |
| Temperature range: | 20-225° F [-7 to 107°C] |
| Pressure Range: | to 500 PSIG [34 bar] |
| w/optional clear cover | to 200 PSIG [14 bar] |
| Pressure Differential: | See graphs |

ELECTRONIC SPECIFICATIONS

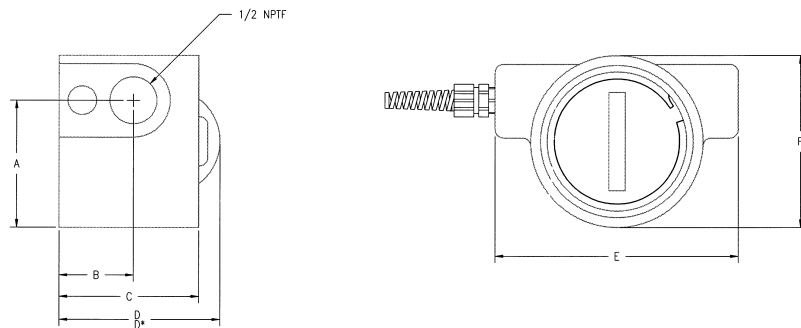
4-20 MA CIRCUIT:

| | |
|--------------------------------|--|
| Power Requirements | 12-35 Vdc |
| Load driving capacity: | 1150 Ohms max |
| Maximum transmitting distance: | Limited only by wire resistance & supply voltage |
| Response time: | 2 seconds to 90% (step change in flow rate) |
| Connections: | Via 10 ft. (3m.) 22 awg pigtail |
| Controls: | 4mA (offset): 20mA (span) factory set |
| Resolution: | Infinite |
| Over-current limit: | Self limiting at 30mA |
| Other protection: | Reverse polarity |
| Fail-safe indication: | 4mA |

PULSE OUTPUT VERSION:

| | |
|------------------|--------------------------|
| Type: | 3 wire, hall effect |
| Voltage: | 5V minimum / 24V maximum |
| Maximum current: | 25mADC |

MECHANICAL



| DIM | 1/2" NPTF | 3/4" NPTF - 1" NPTF |
|-----|---------------|---------------------|
| A | 1.94" (49 mm) | 3.06" (78 mm) |
| B | 1.13" (29 mm) | 1.33" (34 mm) |
| C | 2.00" (51 mm) | 2.46" (62 mm) |
| D | 2.45" (62 mm) | 2.78" (71 mm) |
| D* | 2.60" (66 mm) | 2.88" (73 mm) |
| E | 3.70" (94 mm) | 5.25" (133 mm) |
| F | 2.63" (67 mm) | 3.80" (97 mm) |

* Dimension with optional clear polycarbonate cover installed



3828 West Mitchell St. • Milwaukee, WI 53215
 Phone: 414/671-3577
 FAX: 414/671-LAKE (5253)
 Toll Free: 800-850-6110 (U.S. & Canada only)
 www.lakemonitors.com