

2/2-Way; G¹/₂"-1"; 1-50 bar



Advantages/Benefits

- ▶ High reliability
- ▶ Unaffected by pressure surges
- ▶ Low maintenance
- ▶ Easy coil change
- ▶ Coil can be locked in 4x 90° positions, or move freely between, as required
- ▶ Wide range of cable plug options Type 2508

Design/Function

The valves are based on a modular concept comprising three basic elements: Valve assembly, push-over coil and standard cable plug. Type 5404 is a normally-closed servo-assisted solenoid valve. A minimal differential pressure of 1 bar is required for complete opening.

To simplify ordering, a wide selection of standard combinations of valve body, push-over coil and standard cable plug can be ordered with one order number.

Cable plug options of Type 2508 are available to suit special electrical application requirements.

Applications

Fluids

- Neutral gases and liquids up to 50 bar
- Hot air, oxygene
- Oils and hydraulic liquids based on mineral oils

Applications

- Compressed air pressure systems
- Water/ sewage treatment
- Compressors
- Gas turbines

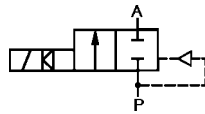
bürkert
Easy Fluid Control Systems

Technical Data

Circuit function

A 2/2-way, normally closed, servo-piston valve, 2-way pilot controlled

Symbol



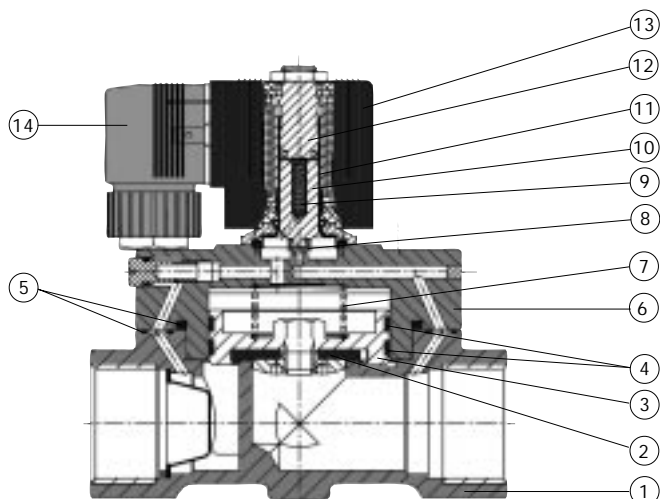
Operating Data (Valve)

Pressure range	1-50 bar
Port connection	G 1/2" - 1"
Fluid	Compressed air; Neutral liquids e.g. water, hydraulic oil.
Medium temperature	-10...+90 °C
Max. ambient temperature	+55 °C
Max. viscosity	21 mm ² /s
Response times	opening: 20- 400 ms closing: 100-1500 ms
Installation	as required, but preferably with solenoid system upright.

Operating Data (Actuator)

Operating voltages	AC 24, 110, 230 V/50-60 Hz DC 24 V/=
Voltages tolerance	±10 %
Power consumption Voltage (AC)	Inrush: 21 VA Hold: 12 VA/8 W
Voltage (DC)	Inrush and hold: 8 W
Duty cycle	100% continuously rated
Cycling rate	10-50 c.p.m.
Protection class with cable plug	IP 65
Electr. connection	Delivery standard: Cable plug DIN 43 650 A, 0-250 V (Other versions see accessories).

Materials



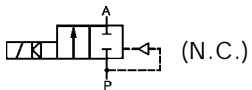
1	Valve body:	Brass
2	Seal (seat):	PTFE
3	Piston:	Brass
4	Piston-seal	PTFE
5	O-rings:	NBR
6	Cover:	Brass
7	Spring:	1.4310 Stainless Steel
8	Plunger-seal:	NBR
9	Spring:	1.4310 Stainless Steel
10	Plunger:	1.4105 Stainless Steel
11	Armature guide tube:	1.4303 Stainless Steel
12	Stopper:	1.4105 Stainless Steel
13	Coil:	Polyamide
14	Cable plug:	Polyamide

High Pressure Solenoid Valve

General Purpose

Type 5404

Specifications - Ordering Chart (Other Versions on Request)

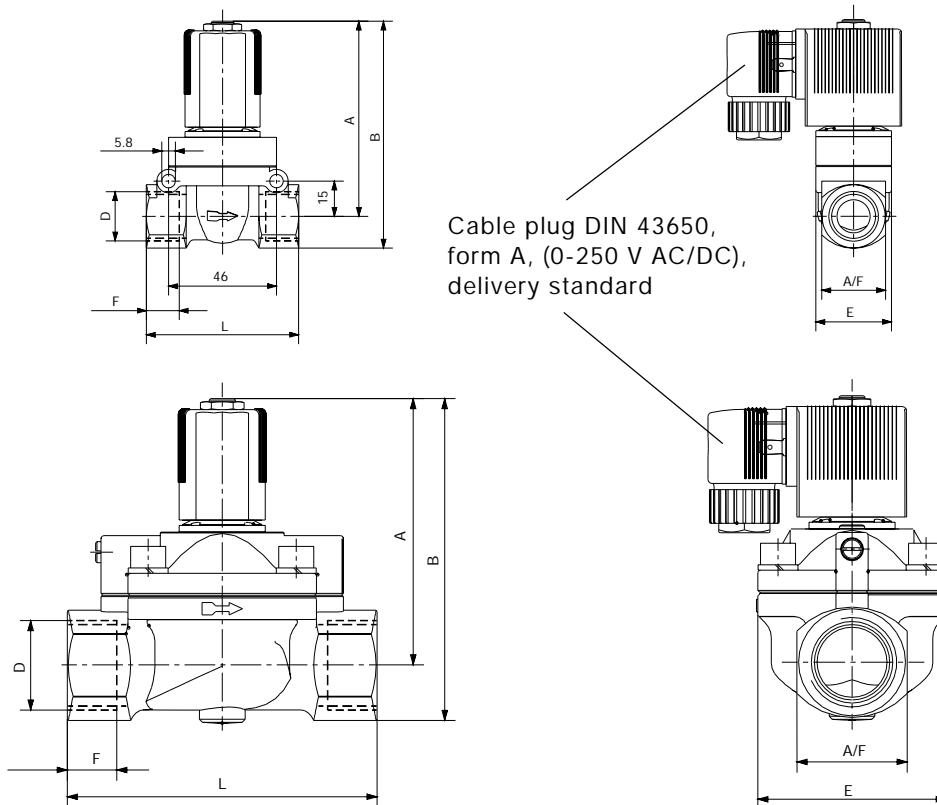


(with standard-cable plug
0-250 V AC/DC)

Seal material seat: PTFE (O-rings: NBR)

Port connection [Inch]	Orifice [mm]	Kv-value (water) [m ³ /h]	Q _{Nn} (air) [l/min]	Pressure (for air) [bar]	Pressure (for liquids) [bar]	Weight [kg]	ORDER - NO.			
							Voltage / Frequency [V/Hz]			
							24/=	24/50	110/50	230/50
G 1/2	12.0	2.0	2200	1-50	1-50	0.60	134 590 L	134 591 H	134 592 A	134 593 B
G 3/4	20.0	5.0	5400	1-40	1-25	1.17	---	134 595 D	134 596 E	134 597 F
G 3/4	20.0	5.0	5400	1-32	1-25	1.17	134 594 C	---	---	---
G 1	25.0	10.0	10800	1-40	1-25	1.68	---	134 599 R	134 600 E	134 601 T
G 1	25.0	10.0	10800	1-32	1-25	1.68	134 598 Q	---	---	---

Dimensions (in mm)



Variable Dimensions [mm]

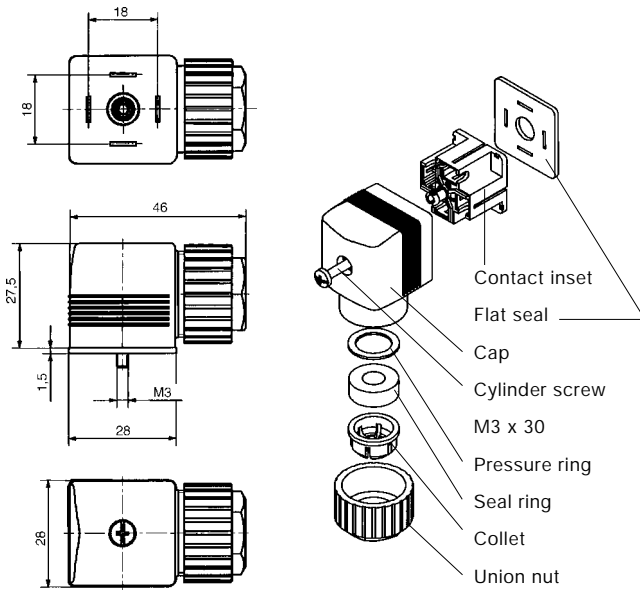
Port-connection D	Orifice [mm]	A	B	F	E	L	A/F
G 1/2	12.0	83.0	96.5	14.0	32	65	27
G 3/4	20.0	93.0	109.0	16.0	60	100	32
G 1	25.0	99.5	119.0	18.0	70	115	41

High Pressure Solenoid Valve

General Purpose

Type 5404

Dimensions Accessories (in mm)



Transparent cap, when wired with LED.

Ordering Chart for Accessories

Device/Accessory	Features	Order-No.
Cable-plugs ¹⁾ Type 2508	Standard cable plug, 0-250 V AC/DC (standard-delivery) ¹⁾	008 376 N
	with LED, 12-24 V AC/DC	008 360 S
	with LED, 100-120 V AC/DC	008 361 P
	with LED + varistor, 12-24 V AC/DC	008 367 M
	with LED + varistor, 100-120 V AC/DC	008 368 W
	with LED + varistor, 200-240 V AC/DC	008 369 X
(optional wirings and connection specifications see data sheet Type 2508)		

¹⁾ The standard cable plug (0-250 V AC/DC), Order-No. 008 376 N is part of the standard delivery. Ordering of optional cable plugs with separate ordering number.

A wide selection of further cable plugs is available (see special data sheet Type 2508)